



## FIRE PREVENTION GUIDELINE

|  |                                   |                                 |
|--|-----------------------------------|---------------------------------|
| <b>Title: Fire Department Access Roadways</b>  |                                   |                                 |
| <b>Number:</b> FPG-01  | <b>Effective Date:</b> 01/01/2023 | <b>Revised Date:</b> 03/01/2023 |
| <b>Code References:</b> California Fire Code (CFC), California Code of Regulations (CCR) Title 19, Merced Municipal Code (MMC)   |                                   |                                 |
| <b>Note:</b> <i>This guideline is a summary of Fire Department clarifications and interpretations of City and State Codes and nationally recognized standards in accordance with the currently adopted edition of the Fire Code. Information contained herein applies to typical circumstances and may not address all situations.</i> |                                   |                                 |

### SCOPE

This Guideline has been developed to assist the public in designing and maintaining access roadways for fire department apparatus.

### CODES AND GUIDELINES

This guideline shall apply for access to all buildings and properties in accordance with the California Fire Code, California Code of Regulations, Title 19 and the Merced Municipal Code.

### PERMITS REQUIRED

An operational permit is not applicable.

### SPECIFIC REQUIREMENTS

#### PLANS

Detailed plans for fire apparatus access roads shall be submitted to the City of Merced Development Services Department for review and approval prior to construction.

#### SPECIFICATIONS

1. Fire apparatus access roads shall have a minimum unobstructed width of 22 feet measured from the face of the curb, except for approved security gates. The fire code official has the authority to require an increase in the minimum access widths where they are inadequate for fire or rescue operations. (2022 CFC 503 & MMC 17.32.070)



2. An unobstructed vertical clearance of 13 feet 6 inches shall be provided. (CFC 503)
3. Fire apparatus access roads shall be designed and maintained to support the imposed loads of fire apparatus and shall be provided with a surface as to provide all-weather driving capabilities.
4. The turning radius of a fire department access road shall be as approved. Turning radii shall be a minimum of 33 feet inside, 47 feet curb to curb and 49 feet wall to wall.
5. Dead-end fire apparatus access roads in excess of 150 feet in length shall be provided with approved provisions for the turning around of apparatus. See page 4 for examples of approved turn around areas.
6. Bridges and elevated surfaces shall be constructed and maintained at minimum in accordance with AASHTO HB-17 and shall be approved by the City of Merced Engineering Department. Bridges and elevated surfaces shall be designed for a live load sufficient to carry the imposed loads of fire apparatus. Vehicle load limits shall be posted at both entrances to bridges.
7. The grade and angle of approach shall be designed to allow for access of all fire department apparatus.

## **OBSTRUCTIONS**

1. The required width of a fire department access road shall not be obstructed in any manner, including parking of vehicles. Minimum required widths and clearances shall be maintained at all times.
2. All security gates or other barriers serving fire department access roads shall be approved for type and width. All powered gates shall be equipped with an approved Fire Department key over-ride switch and radio-operated controller ("Click2Enter" or other approved device). Non-powered gates shall be openable using an approved key box access key.
3. Parked vehicles shall not obstruct entrances to fire department access roads.

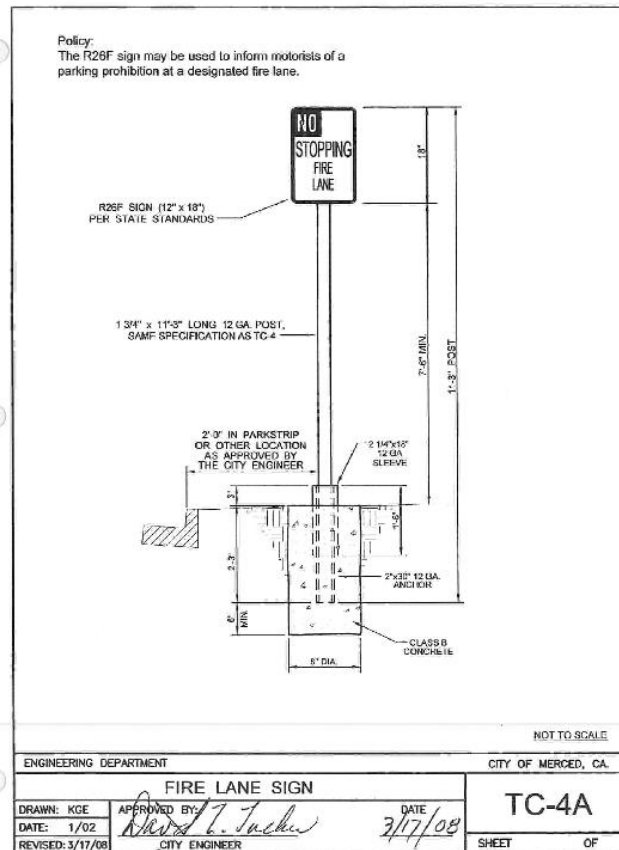
## **REQUIRED MARKING**

1. Fire Department Access roads shall be designated as "Fire Lanes" and shall be



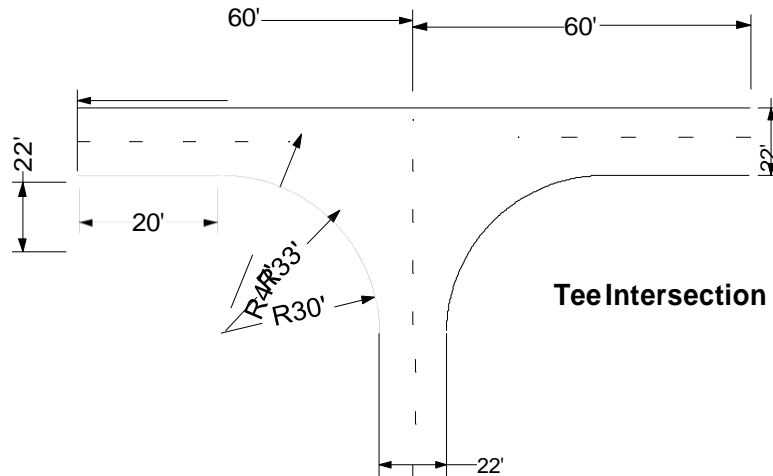
marked in accordance with Section 22500.1 of the California Vehicle Code.

2. The designation shall be indicated by outlining or painting the place in red and, in contrasting color, marking the place with the words "FIRE LANE", which are clearly visible from a vehicle, or
3. By a red curb or red paint on the edge of the roadway upon which is clearly marked the words "FIRE LANE", or
4. Post a sign immediately adjacent to, and visible from, the designated place, clearly stating in letters not less than one inch in height that the place is a fire lane. The wording of the sign and the construction/installation standards shall conform to the standard designs adopted by the City of Merced Engineering Department. (See page 3)





### APPROVED TURNAROUNDS



#### Apparatus Turning Radius Minimums

|              |     |
|--------------|-----|
| Inside       | 33' |
| Curb to Curb | 47' |
| Wall to Wall | 49' |

### HAMMERHEAD TEE INTERSECTION

