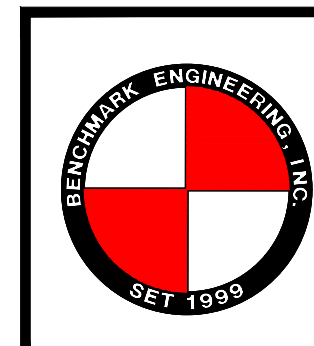
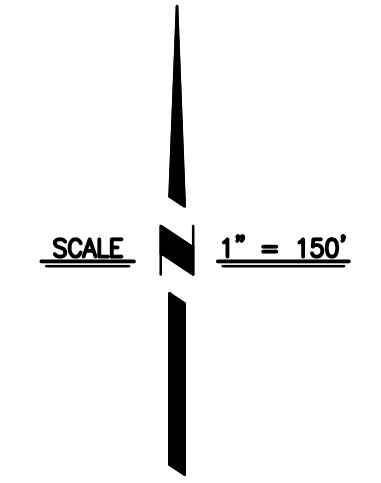




WITHOUT BASE FLOOD ELEVATION OR DEPTH (ZONE A)

NOTE
THIS EXHIBIT IS FOR ILLUSTRATIVE PURPOSES ONLY. SEE PROPOSED "DRAFT" FEMA PANELS FOR EXACT LOCATION OF SPECIAL FLOOD HAZARD AREAS.

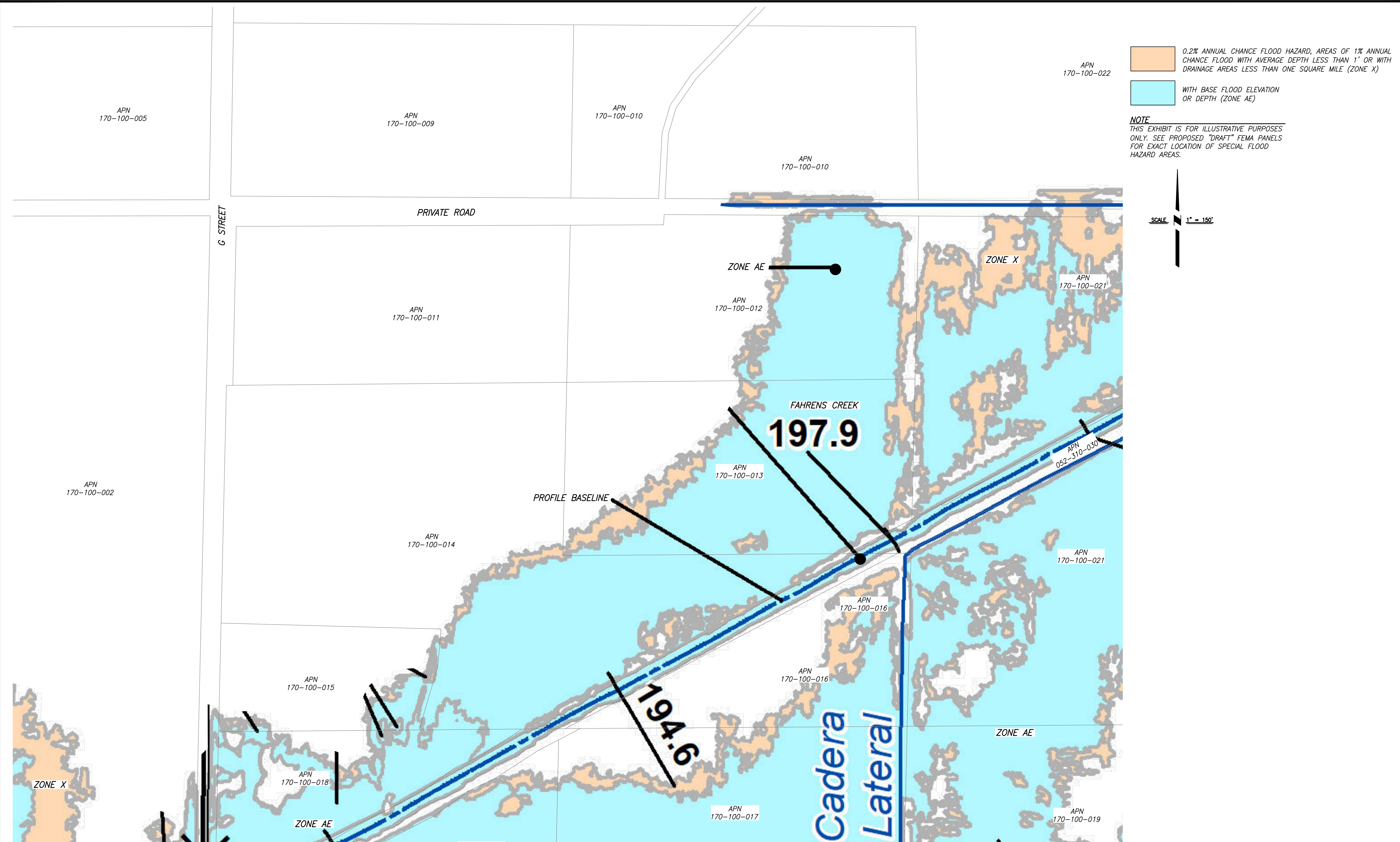


BENCHMARK ENGINEERING, INC.
CIVIL ENGINEERING & LAND SURVEYING
 915 17th STREET • MODESTO, CALIFORNIA • 95354
 (209) 548-9300 FAX:(209) 548-9305

EXISTING FLOOD ZONE
BELLEVUE FEMA
 MERCED, CALIFORNIA

PREPARED UNDER THE DIRECTION OF:				DATE:
REVISIONS				JOB NO 125971
NO	DESCRIPTIONS	DATE	APPROVED	DR BY NRS
				CK BY RICK
				SCALE 1"=150'

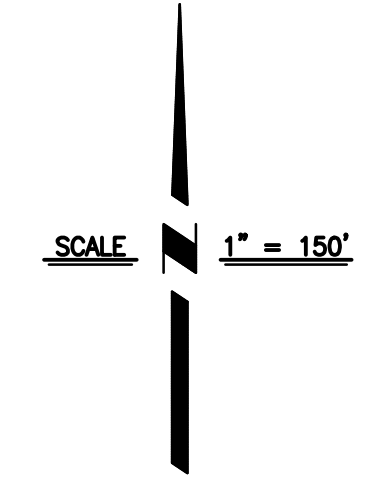
SHEET NUMBER
1
 OF 26

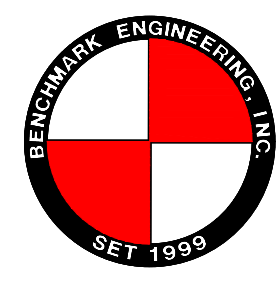


0.2% ANNUAL CHANCE FLOOD HAZARD, AREAS OF 1% ANNUAL CHANCE FLOOD WITH AVERAGE DEPTH LESS THAN 1' OR WITH DRAINAGE AREAS LESS THAN ONE SQUARE MILE (ZONE X)

WITH BASE FLOOD ELEVATION OR DEPTH (ZONE AE)

NOTE
 THIS EXHIBIT IS FOR ILLUSTRATIVE PURPOSES ONLY. SEE PROPOSED "DRAFT" FEMA PANELS FOR EXACT LOCATION OF SPECIAL FLOOD HAZARD AREAS.




BENCHMARK ENGINEERING, INC.
 CIVIL ENGINEERING & LAND SURVEYING
 915 17th STREET • MODESTO, CALIFORNIA • 95354
 (209) 548-9300 FAX: (209) 548-9305

PROPOSED FLOOD ZONE
BELLEVUE FEMA
 MERCED, CALIFORNIA

PREPARED UNDER THE DIRECTION OF: _____ DATE: _____

REVISIONS			
NO	DESCRIPTIONS	DATE	APPROVED

JOB NO 125971
 DR BY NRS
 CK BY RICK
 SCALE 1"=150'