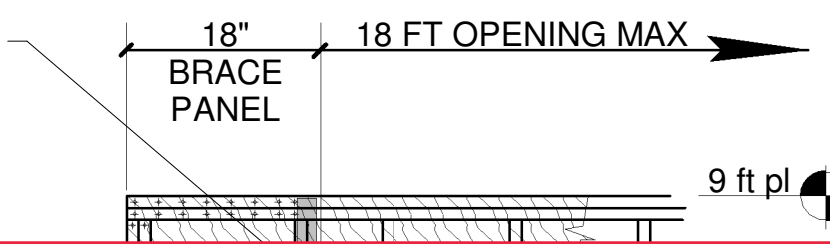
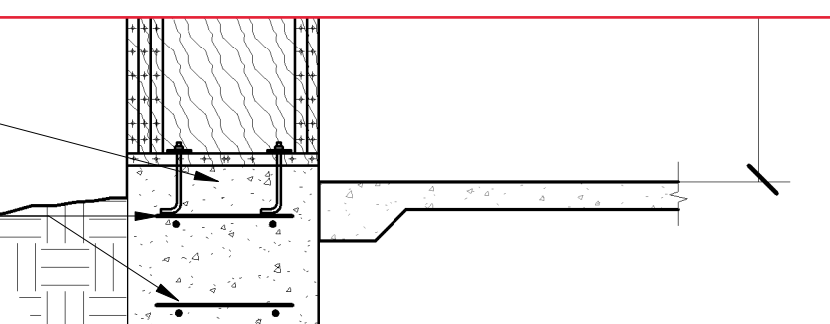


TENSION STRAP AT INTERIOR FACE OF WALL, STRAP ACROSS HEADER AND JAMB STUDS:
SIMPSON MSTA 30 (2,050 lbs TENSION)
7/16" APA RATED SHEATHING CDX PLWD (OR EQUIV OSB), EXTERIOR FACE OF WALL, NAIL 8d 6" o.c IN ALL FRAMING (STUDS, SILL, TYP) SE FOR MINIMUM NAILING PATTERN AS SHOWN



MIN DBL STUD
4 x BLOCKING EDGES
2 x 4 PT SILL P (2) 1/2" DIA AB CUT PL WASH, EMBED BOLT 7" INTO FTG (CRC FIGURE R602.10.6.4)



2 #4 TOP AND BOTTOM EACH WAY
2 x 6 @ 24" o.c. WOOD FRAME WALL, PROVISIONS PER CHAPTER 6 CRC
DERIVED FROM CRC FIGURE R602.10.4.2

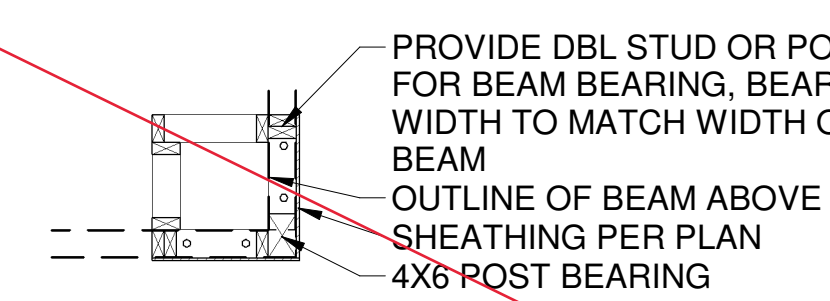


TABLE R602.10.5 MINIMUM LENGTH OF BRACED WALL PANEL PORTAL HEAD HT CS-PF 9FT PL = 18" 602.3(1) FASTENING TABLE

CS-PF 1/2" = 1'-0"

6/9/2023 3:09:24 PM

OUTLINE OF ELECTRICAL PROVISIONS

Refer to California Electrical Code for full body of language; also refer to LIGHTING MEASURES contained in Energy Analysis Report t24

- "AFCI" (ARC-FAULT CIRCUIT INTERRUPTER) TO BE PROVIDED AT ALL OUTLETS (RECEPTACLES, LIGHTS, ETC.) IN FAMILY ROOMS, DINING ROOMS, LIVING ROOMS, KITCHENS, LAUNDRY ROOMS, PARLORS, DEN, BEDROOMS, SUNROOMS, RECREATION ROOMS, CLOSETS, HALLWAYS, OR SIMILAR ROOMS OR AREAS. (CEC SECTION 210-12)
- ALL DWELLING UNITS RECEPTACLES OUTLETS SHALL BE LISTED: TAMPER-RESISTANT RECEPTACLES. (CEC SECTION 406.11)

ALL INTERIOR LIGHTING CONTROLS SHALL COMPLY WITH THE FOLLOWING AS PER SECTION 150.0(K)(2) OF THE CALIFORNIA ENERGY CODE:
A) ALL INTERIOR LIGHTING SHALL BE SWITCHED OR CONTROLLED BY A VACUANCY SENSOR OR DIMMER
-EXCEPTIONS: (1) CLOSETS LESS THAN 70 SQUARE FEET (2) HALLWAYS
B) LUMINARIES SHALL BE SWITCHED WITH READILY ACCESSIBLE CONTROL THAT REQUIRES LUMINAIRE TO BE SWITCHED ON - OFF

R308.4.1 Glazing in Doors

Glazing in fixed and operable panels of swinging, sliding and bifold doors shall be considered to be a hazardous location.

Exceptions:

- Glazed openings of a size through which a 3-inch-diameter (76 mm) sphere is unable to pass.
- Decorative glazing.

R308.4.4 Glazing in Guards and Railings

Glazing in guards and railings, including structural baluster panels and nonstructural in-fill panels, regardless of area or height above a walking surface shall be considered to be a hazardous location.

Exceptions:

- The exposed area of an individual pane is larger than 9 square feet (0.836 m²).
- The bottom edge of the glazing is less than 18 inches (457 mm) above the floor.
- The top edge of the glazing is more than 36 inches (914 mm) above the floor.
- One or more walking surfaces are within 36 inches (914 mm), measured horizontally and in a straight line, of the glazing.

R308.4.4.1 Structural Glass Baluster Panels

Guards with structural glass baluster panels shall be installed with an attached top rail or handrail. The top rail or handrail shall be supported by not less than three glass baluster panels, or shall be otherwise supported to remain in place should one glass baluster panel fail.

Exceptions:

- Decorative glazing.
- Where glazing is adjacent to a walking surface and a horizontal rail is installed 34 to 38 inches (864 to 965 mm) above the walking surface. The rail shall be capable of withstanding a horizontal load of 50 pounds per linear foot (730 N/m) without contacting the glass and have a cross-sectional height of not less than 1 1/2 inches (38 mm).
- Outdoor panes in insulating glass units and other multiple glazed panels where the bottom edge of the glass is 25 feet (7620 mm) or more above grade, a roof, walking surfaces or other horizontal (within 45 degrees (0.79 rad) of horizontal) surface adjacent to the glass exterior.

R308.4.5 Glazing and Wet Surfaces

Glazing in walls, enclosures or fences containing or adjacent to hot tubs, spas, whirlpools, saunas, steam rooms, bathtubs, showers and indoor or outdoor swimming pools where the bottom exposed edge of the glazing is less than 60 inches (1524 mm) measured vertically above any standing or walking surface shall be considered to be a hazardous location. This shall apply to single glazing and each pane in multiple glazing.

Exceptions:

- Glazing that is more than 60 inches (1524 mm), measured horizontally, from the water's edge of a bathtub, hot tub, spa, whirlpool or swimming pool or from the edge of a shower, sauna or steam room. **Glazing: Wet Surfaces**

R308.4.6 Glazing Adjacent to Stairs and Ramps

Diagram

Glazing where the bottom exposed edge of the glazing is less than 36 inches (914 mm) above the plane of the adjacent walking surface of stairways, landings between flights of stairs and ramps shall be considered to be a hazardous location.

Exceptions:

- Where glazing is adjacent to a walking surface and a horizontal rail is installed at 34 to 38 inches (864 to 965 mm) above the walking surface. The rail shall be capable of withstanding a horizontal load of 50 pounds per linear foot (730 N/m) without contacting the glass and have a cross-sectional height of not less than 1 1/2 inches (38 mm).
- Glazing 36 inches (914 mm) or more measured horizontally from the walking surface.

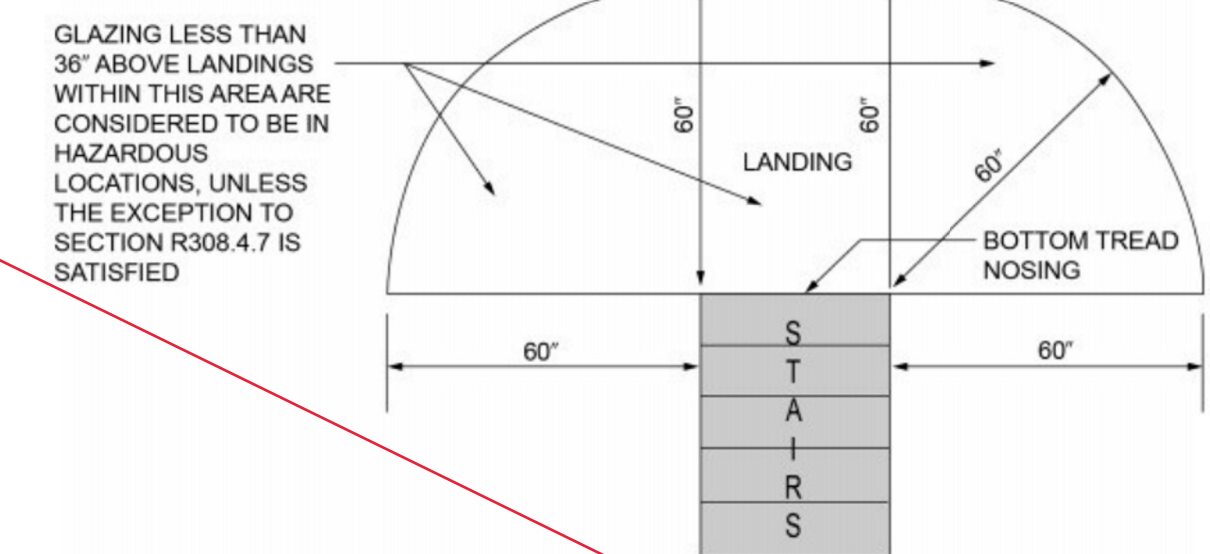
Glazing Next to Stairs and Ramps (IRC)

R308.4.7 Glazing Adjacent to the Bottom Stair Landing

Glazing adjacent to the landing at the bottom of a stairway where the glazing is less than 36 inches (914 mm) above the landing and within a 60-inch (1524 mm) horizontal arc less than 180 degrees (3.14 rad) from the bottom tread nosing shall be considered to be a hazardous location. (See Figure R308.4.7.)

Exceptions:

- Where the glazing is protected by a guard complying with is more than 18 inches (457 mm) from the guard.



For SI: 1 inch = 25.4 mm.

GLAZING NOTES

OR SHOWER STALL. LUMINARIES LOCATED WITHIN THE ACTUAL OUTSIDE DIMENSION OF THE BATHTUB OR SHOWER TO A HEIGHT OF 8 FT VERTICAL FROM THE TIP OF THE BATHTUB RIM OR SHOWER THRESHOLD SHALL BE MARKED FOR DAMP LOCATIONS, OR MARKED FOR WET LOCATIONS WHERE SUBJECT TO SHOWER SPRAY.

ONLY LUMINARIES OF THE FOLLOWING TYPES SHALL BE PERMITTED IN A CLOSET:

- SURFACE-MOUNTED OR RECESSED INCANDESCENT OR LED LUMINARIES WITH COMPLETELY ENCLOSED LIGHT SOURCES
- SURFACE-MOUNTED OR RECESSED FLUORESCENT LUMINARIES
- SURFACE-MOUNTED OR LED LUMINARIES IDENTIFIED AS SUITABLE FOR INSTALLATION WITHIN THE CLOSET STORAGE SPACE. THE FOLLOWING LUMINAIRE TYPES NOT PERMITTED IN CLOSETS

CLOSETS INCANDESCENT LUMINARIES WITH OPEN OR PARTIALLY ENCLOSED LAMPS AND PENDANT LUMINARIES OR LAMP HOLDERS SHALL NOT BE PERMITTED.

LOCATION OF LUMINARIES IN CLOTHES CLOSETS

THE MINIMUM CLEARANCE BETWEEN LUMINARIES INSTALLED IN CLOTHES CLOSETS AND THE NEAREST POINT OF A CLOSET STORAGE SPACE SHALL BE AS FOLLOWS:

- 12 INCHES FOR SURFACE-MOUNTED INCANDESCENT OR LED LUMINARIES WITH A COMPLETELY ENCLOSED LIGHT SOURCE INSTALLED ON THE WALL ABOVE THE DOOR OR ON THE CEILING
- 6 INCHES FOR SURFACE-MOUNTED FLUORESCENT LUMINARIES INSTALL ON THE WALL ABOVE THE DOOR OR ON THE CEILING
- 6 INCHES FOR RECESSED INCANDESCENT OR LED LUMINARIES WITH A COMPLETELY ENCLOSED LIGHT SOURCE INSTALLED IN THE WALL OR THE CEILING
- 6 INCHES FOR RECESSED FLUORESCENT LUMINARIES INSTALLED IN THE WALL OR THE CEILING
- SURFACE-MOUNTED FLUORESCENT OR LED LUMINARIES SHALL BE PERMITTED TO BE INSTALLED WITHIN THE CLOSET STORAGE SPACE WHERE IDENTIFIED FOR THIS USE

SMOKE ALARMS AND CARBON MONOXIDE ALARMS

SMOKE ALARMS SHALL BE INSTALLED IN THE FOLLOWING LOCATIONS:

- IN EACH SLEEPING ROOM.
- OUTSIDE EACH SEPARATE SLEEPING AREA IN THE IMMEDIATE VICINITY OF THE BEDROOMS.
- ON EACH ADDITIONAL STORY OF THE DWELLING, INCLUDING BASEMENTS AND HABITABLE ATTICS. IN DWELLINGS OR DWELLING UNITS WITH SPLIT LEVELS AND WITHOUT AN INTERVENING DOOR BETWEEN THE ADJACENT LEVELS, A SMOKE ALARM INSTALLED ON THE UPPER LEVEL SHALL SUFFICE FOR THE ADJACENT LOWER LEVEL PROVIDED THAT THE LOWER LEVEL IS LESS THAN ONE FULL STORY BELOW THE UPPER LEVEL.

WHEN MORE THAN ONE SMOKE ALARM IS REQUIRED TO BE INSTALLED WITHIN AN INDIVIDUAL DWELLING UNIT, THE ALARM DEVICES SHALL BE INTERCONNECTED IN SUCH A MANNER THAT THE ACTUATION OF ONE ALARM WILL ACTIVATE ALL OF THE ALARMS IN THE INDIVIDUAL UNIT.

29.8.3.4 Specific location requirements.

- The installation of smoke alarms and smoke detectors shall comply with the following requirements:
 - (1) Smoke alarms and smoke detectors shall not be located where ambient conditions, including humidity and temperature, are outside the limits specified by the manufacturer's published instructions.
 - (2) Smoke alarms and smoke detectors shall not be located within unfinished attics or garages or in other spaces where temperatures can fall below 40°F (4°C) or exceed 100°F (38°C).
 - (3) Where the mounting surface could become considerably warmer or cooler than the room, such as a poorly insulated ceiling below an unfinished attic or an exterior wall, smoke alarms and smoke detectors shall be mounted on an inside wall.
 - (4) Smoke alarms or smoke detectors shall be installed a minimum of 20 feet horizontal distance from a permanently installed cooking appliance. **Exception:** Ionization smoke alarms with an alarm silencing switch or Photoelectric smoke alarms shall be permitted to be installed 10 feet (3 m) or greater from a permanently installed cooking appliance. Photoelectric smoke alarms shall be installed greater than 6 feet (1.8 m) from a permanently installed cooking appliance where the kitchen or cooking area and adjacent spaces have no clear interior partitions and the 10 ft distances would prohibit the placement of a smoke alarm or smoke detector required by other sections of the code. Smoke alarms listed for use in close proximity to a permanently installed cooking appliance.
 - (5) Installation near bathrooms. Smoke alarms shall be installed not less than a 3 foot (0.91 m) horizontal distance from the door or opening of a bathroom that contains a bathtub or shower unless this would prevent placement of a smoke alarm required by other sections of the code.
 - (6) Smoke alarms and smoke detectors shall not be installed within a 36 in. (910 mm) horizontal path from the supply registers of a forced air heating or cooling system and shall be installed outside of the direct airflow from those registers.
 - (7) Smoke alarms and smoke detectors shall not be installed within a 36 in. (910 mm) horizontal path from the tip of the blade of a ceiling-suspended (paddle) fan.
 - (8) Where stairs lead to other occupied levels, a smoke alarm or smoke detector shall be located so that smoke rising in the stairway cannot be prevented from reaching the smoke alarm or smoke detector by an intervening door or obstruction.
 - (9) For stairways leading up from a basement, smoke alarms or smoke detectors shall be located on the basement ceiling near the entry to the stairs.
 - (10) For tray-shaped ceilings (coffered ceilings), smoke alarms and smoke detectors shall be installed on the highest portion of the ceiling or on the sloped portion of the ceiling within 12 in. (300 mm) vertically down from the highest point.
 - (11) Smoke alarms and detectors installed in rooms with joists or beams shall comply with the requirements of 17.7.3.2.4.
 - (12) Heat alarms and detectors installed in rooms with joists or beams shall comply with the requirements of 17.6.3.

CARBON MONOXIDE ALARMS:

FOR NEW CONSTRUCTION, AN APPROVED CARBON MONOXIDE ALARM SHALL BE INSTALLED IN DWELLING UNITS AND IN SLEEPING UNITS WITHIN WHICH FUEL-BURNING APPLIANCES ARE INSTALLED AND IN DWELLING UNITS THAT HAVE ATTACHED GARAGES.

CARBON MONOXIDE ALARMS REQUIRED BY SECTIONS R315.1 AND R315.2 SHALL BE INSTALLED IN THE FOLLOWING LOCATIONS:

- OUTSIDE OF EACH SEPARATE DWELLING UNIT SLEEPING AREA IN THE IMMEDIATE VICINITY OF THE BEDROOMS
- ON EVERY LEVEL OF A DWELLING UNIT INCLUDING BASEMENTS.

BOXES AT CEILING-SUSPENDED (PADDLE) FAN OUTLETS

Outlet boxes or outlet box systems used as the sole support of a ceiling-suspended (paddle) fan shall be listed, shall be marked by their manufacturer as suitable for this purpose, and shall not support ceiling-suspended (paddle) fans that weigh more than 32 kg (70 lb). For outlet boxes or outlet box systems designed to support ceiling-suspended (paddle) fans that weigh more than 16 kg (35 lb), the required marking shall include the maximum weight to be supported. Where spare, separately switched, ungrounded conductors are provided to a ceiling-mounted outlet box, in a location acceptable for a ceiling-suspended (paddle) fan in one-family, two-family, or multifamily dwellings, the outlet box or outlet box system shall be listed for sole support of a ceiling-suspended (paddle) fan. *CEC 314.27(C)*

BONDING OF PIPING SYSTEMS AND EXPOSED STRUCTURAL METAL

Metal water piping system(s) installed in or attached to a building or structure shall be bonded to any of the following:

- Service equipment enclosure
- Grounded conductor at the service
- Grounding electrode conductor of sufficient size
- One or more grounding electrodes used, if the grounding electrode conductor or bonding jumper to the grounding electrode is of sufficient size

The bonding jumper(s) shall be installed in accordance with 250.64(A), 250.64(B), and 250.64(E). The points of attachment of the bonding jumper(s) shall be accessible. The bonding jumper(s) shall be sized in accordance with Table 250.102(C)(1) except as permitted in 250.104(A)(2) and 250.104(A)(3). *CEC 250.104(A)(1)*

ELECTRICAL NOTES

CITY OF MERCED
ACCESSORY DWELLING UNIT
PROGRAM

749

LENA

No.	Description	DATE
A	SITE PLAN REVIEW	5/11/2022
B	SITE PLAN REVIEW	6/13/2022
C	DRAFT RELEASE	8/31/2022
D	DRAFT RELEASE	9/29/2022
1		
2		
3		

Project Number
2210.2

A5.3

set date:
09/29/2022

NOTES