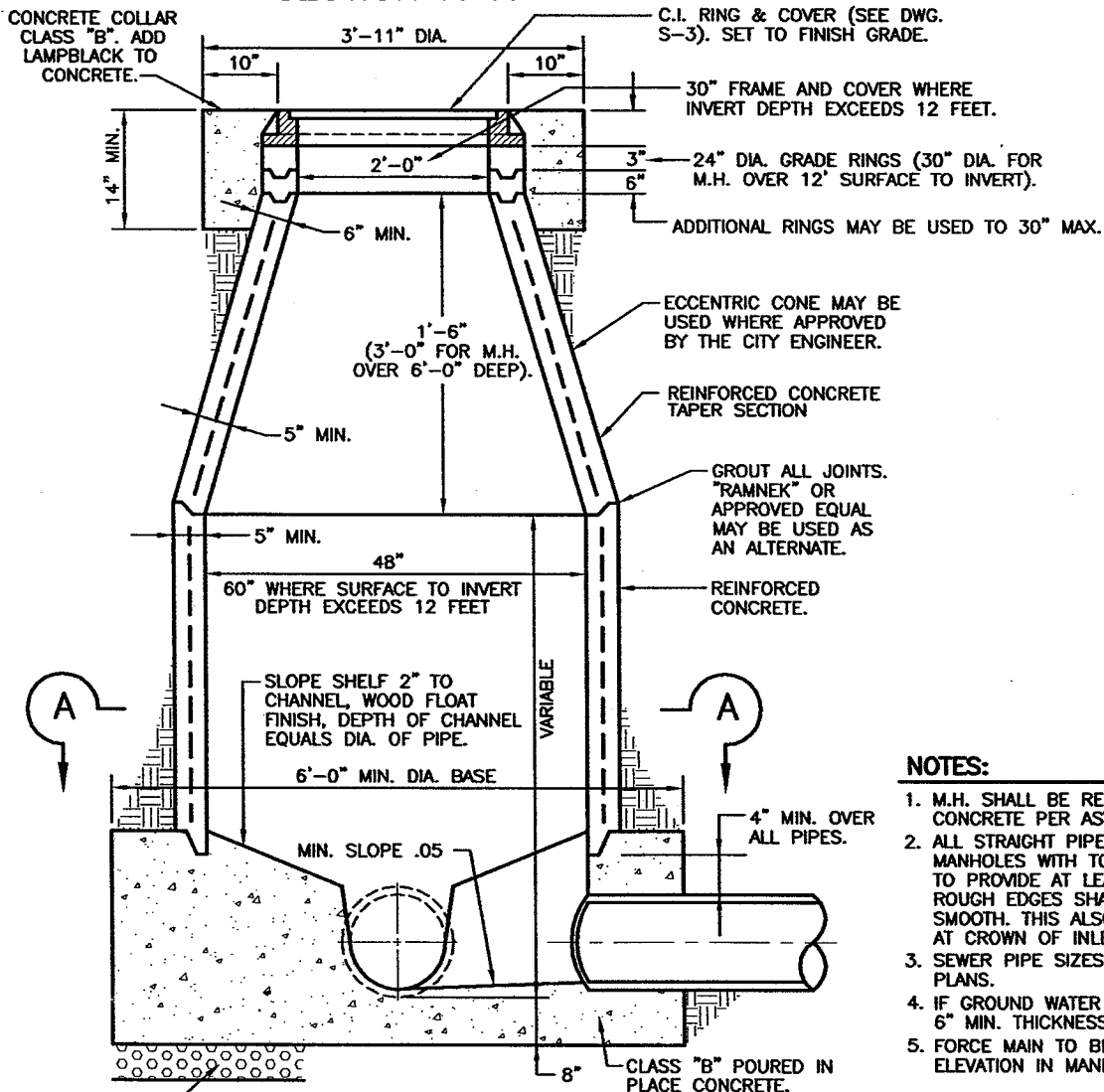


SECTION A-A



NOTES:

1. M.H. SHALL BE REINFORCED PRECAST CONCRETE PER ASTM C-478.
2. ALL STRAIGHT PIPE TO BE LAID THRU MANHOLES WITH TOP HALF REMOVED TO PROVIDE AT LEAST A 44" OPENING. ROUGH EDGES SHALL BE MORTARED SMOOTH. THIS ALSO INCLUDES RADIUS AT CROWN OF INLETS & OUTLETS.
3. SEWER PIPE SIZES TO AGREE WITH PLANS.
4. IF GROUND WATER IS PRESENT PLACE 6" MIN. THICKNESS OF 1" DRAIN ROCK.
5. FORCE MAIN TO BE PIPED TO LOWEST ELEVATION IN MANHOLE.

ENGINEERING DEPARTMENT

CITY OF MERCED, CA.

SEWER MANHOLE DETAIL

DRAWN: KGE

APPROVED BY:

DATE

ENG.

David L. Tucker

01/22/02

REVISED: 1/02

CITY ENGINEER

S-1

SHEET

OF