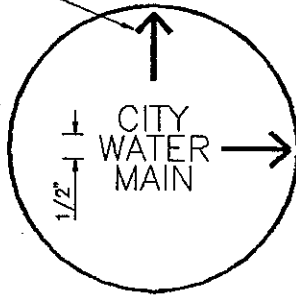
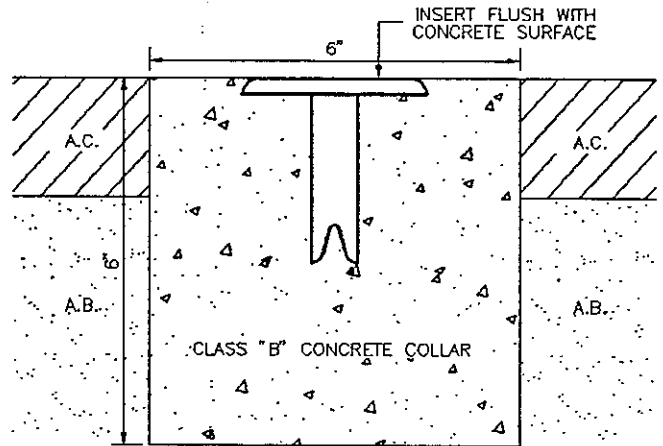


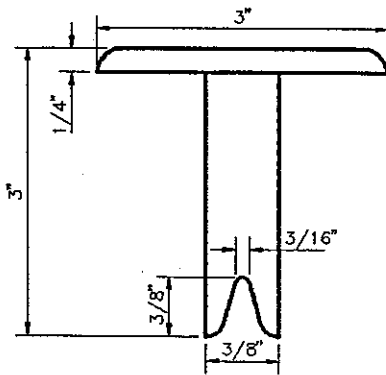
STAMP DIRECTION
OF WATER MAIN



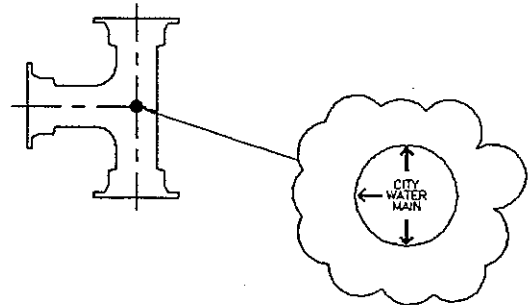
PLAN



CONCRETE COLLAR



PROFILE



EXAMPLE

NOTES:

1. MARKERS SHALL BE CONSTRUCTED OF A SOLID BRONZE CASTING.
2. MARKERS SHALL BE USED ON ALL NON-METALLIC WATER MAINS WHEN TRACER WIRE IS NOT USED.
3. MARKERS SHALL BE INSTALLED DIRECTLY ABOVE THE CENTERLINE OF ALL FITTINGS. INSTALL ADDITIONAL MARKERS AS NECESSARY TO MAINTAIN A MAXIMUM 500 FOOT SPACING.
4. ADDITIONAL MARKERS SHALL BE INSTALLED SO THAT THE CENTERLINE OF PIPE SHALL NOT DEVIATE BY MORE THAN 12-INCHES FROM THE DIRECT LINE OF ANY TWO CONSECUTIVE MARKERS.
5. ALL MARKERS SHALL BE SET BY A LICENSED LAND SURVEYER. THE LAND SURVEYER SHALL FIELD VERIFY THE EXACT CENTERLINE LOCATION PRIOR TO ANY BACKFILL OPERATIONS. UPON COMPLETION OF THE PAVING PROCESS, THE LAND SURVEYER SHALL SET MARKERS.

ENGINEERING DEPARTMENT

CITY OF MERCED, CA.

PIPELINE LOCATION MARKER

DRAWN: MP
ENG.
REVISED

APPROVED BY:
Alan M. Strong
CITY ENGINEER

DATE
12-12-94

W-16C

SHEET OF